



GARAGE DOOR RANGE TECHNICAL INFORMATION

CRAFTED STYLE, CARDALE QUALITY

2005



SPECIFICATIONS

SAFELIFT CANOPY GEAR

STANDARD DOOR AND BRICKWORK APERTURE SIZES

- It is recommended that SafeLift Canopy (trackless) is fitted to a weatherbeaded 70mm x 70mm timber "goalpost" frame, although the door can be fitted to a smaller side jamb down to a minimum of 45mm wide. This frame is not supplied. A Cardale quick-fit steel frame can also be used. (Trackless Canopy steel frame dimensions are 54mm wide on side section, 68mm high on top section and 35mm deep all round, plus there is also an option of a 68mm wide frame.)
- The minimum headroom required above the lower face of the top timber or lintel is 65mm.

NOTES

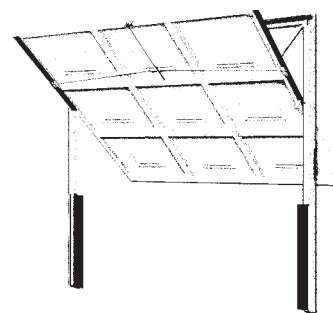
Door sizes given represent opening sizes within the frame. Door leaves are approximately 19mm narrower and 25mm shorter to allow for operating clearances and tolerances.

'Within the brickwork' aperture dimensions include a 3mm gap between the frame and brickwork on all three sides to allow for coursing and tolerances.

'Behind the brickwork' aperture dimensions allow the frame to overlap into the aperture by a minimum of 13mm on both sides to allow for coursing and tolerances.

BRICKWORK APERTURE SIZES FOR FRAMES FITTED WITHIN THE OPENING

Size code	Door size	Timber frame (70x70mm)	Quick-fit steel frame
	width x height	Brickwork aperture width x height	Brickwork aperture width x height
6666	1981 x 1981mm	2127 x 2054mm	2095 x 2052mm
6670	1981 x 2134mm	2127 x 2207mm	2095 x 2205mm
7066	2134 x 1981mm	2280 x 2054mm	2248 x 2052mm
7070	2134 x 2134mm	2280 x 2207mm	2248 x 2205mm
7364	2222 x 1930mm	2368 x 2003mm	2336 x 2001mm
7566	2261 x 1981mm	2407 x 2054mm	2375 x 2052mm
7570	2261 x 2134mm	2407 x 2207mm	2375 x 2205mm
7666	2286 x 1981mm	2432 x 2054mm	2400 x 2052mm
7670	2286 x 2134mm	2432 x 2207mm	2400 x 2205mm
8066	2438 x 1981mm	2584 x 2054mm	2552 x 2052mm
8070	2438 x 2134mm	2584 x 2207mm	2552 x 2205mm



FITTING FRAMES TO THE BRICKWORK

Frames may be fitted within or behind the brickwork. Fitting behind the brickwork, if the garage length allows, will increase the drive-through width by up to 114mm (4½").

A 19mm x 19mm weatherbead should always be fitted to the under-side of the door frame lintel in front of the door to hide the top gap. This feature is integral on the Cardale quick-fit steel frame.

Where an Autoglide electric operator is to be specified together with a Cardale quick-fit Trackless Canopy steel frame, the frame must be fitted behind the brickwork. This is not necessary with a 70mm x 70mm timber frame or the optional 68mm steel frame.

BRICKWORK APERTURE SIZES FOR FRAMES FITTED BEHIND THE OPENING

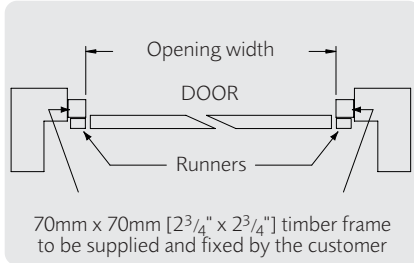
Size code	Door size	Timber frame (70x70mm)	Quick-fit steel frame
	width x height	Brickwork aperture width x height	Brickwork aperture width x height
6666	1981 x 1981mm	2007 x 1981mm	2007 x 1981mm
6670	1981 x 2134mm	2007 x 2134mm	2007 x 2134mm
7066	2134 x 1981mm	2160 x 1981mm	2160 x 1981mm
7070	2134 x 2134mm	2160 x 2134mm	2160 x 2134mm
7364	2222 x 1930mm	2248 x 1930mm	2248 x 1930mm
7566	2261 x 1981mm	2287 x 1981mm	2287 x 1981mm
7570	2261 x 2134mm	2287 x 2134mm	2287 x 2134mm
7666	2286 x 1981mm	2312 x 1981mm	2312 x 1981mm
7670	2286 x 2134mm	2312 x 2134mm	2312 x 2134mm
8066	2438 x 1981mm	2464 x 1981mm	2464 x 1981mm
8070	2438 x 2134mm	2464 x 2134mm	2464 x 2134mm

Trackless Canopy doors are quick and easy to install and take up less space in the garage when opening.

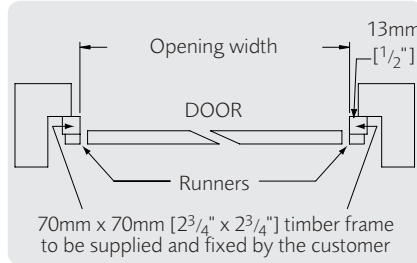
SafeLift Trackless Canopy lifting gear is available for single sized doors up to 2438mm (8'0") wide and 2134mm (7'0") high only.

SAFELIFT CANOPY GEAR

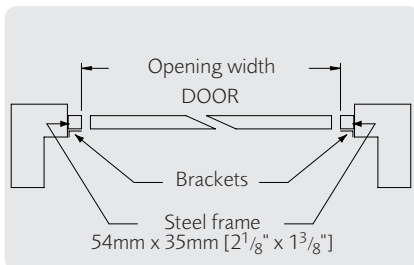
Fitting to timber frame,
WITHIN THE BRICKWORK
APERTURE



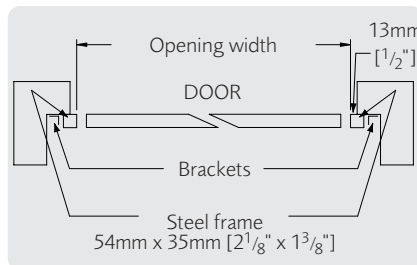
Fitting to timber frame,
BEHIND THE BRICKWORK
APERTURE



Fitting to Cardale quick-fit steel Slideaway frame,
WITHIN THE BRICKWORK
APERTURE

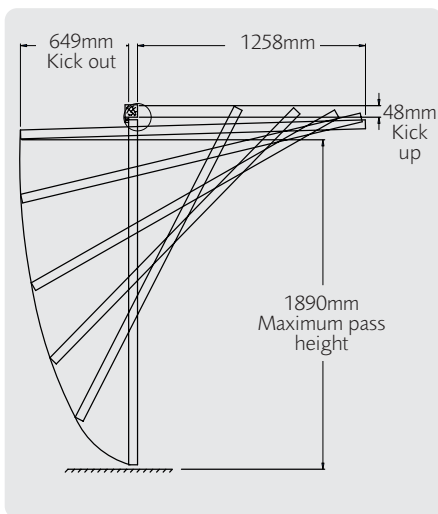


Fitting to Cardale quick-fit steel Slideaway frame,
BEHIND THE BRICKWORK
APERTURE

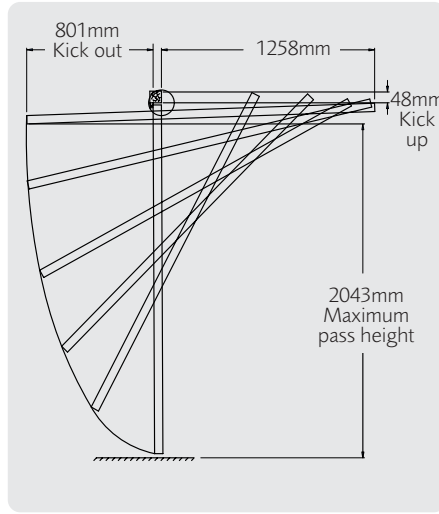


OPENING ARCS OF TRAVEL

CARDALE 1981mm [6'6"]
HIGH SAFELIFT TRACKLESS
CANOPY DOORS



CARDALE 2134mm [7'0"]
HIGH SAFELIFT TRACKLESS
CANOPY DOORS



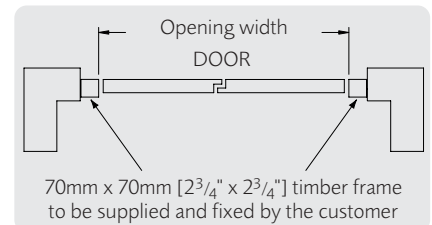
CLASSIC SIDE HINGED DOORS

STANDARD DOOR AND
BRICKWORK APERTURE
SIZES

- Door sizes given are for opening sizes within the frame.
- Aperture sizes include a 3mm gap between the frame and the brickwork on all three sides to allow for coursing and tolerances.

FITTING THE FRAMES TO
THE BRICKWORK

Frames should be fitted within the brickwork as per the drawing shown below:

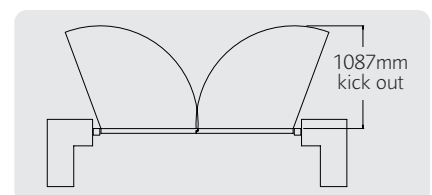


BRICKWORK APERTURE
SIZES FOR FRAMES FITTED
WITHIN THE OPENING

Size code	Door size width x height	Timber frame (70x70mm)
		Aperture width x height
6666	1981 x 1981mm	2127 x 2054mm
6670	1981 x 2134mm	2127 x 2207mm
7066	2134 x 1981mm	2280 x 2054mm
7070	2134 x 2134mm	2280 x 2207mm
7666	2286 x 1981mm	2432 x 2054mm
7670	2286 x 2134mm	2432 x 2207mm
8066	2438 x 1981mm	2584 x 2054mm
8070	2438 x 2134mm	2584 x 2207mm

OPENING ARC OF TRAVEL

CARDALE 2134mm [7'0"]
CLASSIC SIDE HINGED
DOORS



SPECIFICATIONS

SLIDEAWAY RETRACTABLE GEAR

STANDARD DOOR AND BRICKWORK APERTURE SIZES

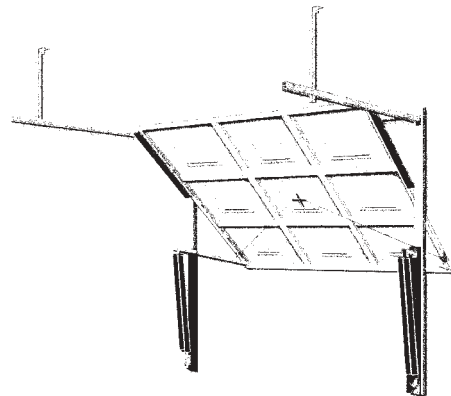
- Cardale Slideaway door gear should be fitted to a weatherbeaded 70mm x 70mm standard timber 'goalpost' frame (not supplied). Alternatively MaxiMizer and double doors up to 4267mm may be fitted to a Cardale quick-fit steel Slideaway frame (dimensions = 68mm wide by 60mm deep all round).
- The minimum headroom required above the lower face of the top timber or lintel is 51mm for double doors, 42mm for doors fitted with MaxiMizer gear.
- MaxiMizer lifting gear is available for single sized Slideaway Cardale doors up to 2438mm (8'0") wide by 2286mm (7'6") high only.

NOTES

- Door sizes given are for opening sizes within the frame. Door leaves are approximately 19mm narrower and 25mm shorter than the dimensions given to allow for clearances and tolerances.
- In use, double lifting gear reduces drive through width by 114mm (4½") and height by 127mm (5"). With MaxiMizer gear there is no reduction in drive through width up to 1048mm from the ground on 1981mm high doors (1200mm on 2134mm high doors), and only a 80mm reduction in height.
- 'Within the brickwork' aperture dimensions include a 3mm gap between the frame and brickwork on all three sides to allow for coursing and tolerances.
- 'Behind the brickwork' aperture dimensions allow the frame to overlap into the aperture by 13mm on both sides to allow for coursing and tolerances.
- Slideaway frames for MaxiMizer single and double doors are also available 7'6" high.
- Special size frames are available in any size from 6'6" x 6'4" to 14'0" x 7'6".

BRICKWORK APERTURE SIZES FOR FRAMES FITTED WITHIN THE OPENING

Size code	Door size width x height	Timber frame (70x70mm)	Quick-fit steel frame
		Brickwork aperture width x height	Brickwork aperture width x height
6666	1981 x 1981mm	2127 x 2054mm	2123 x 2052mm
6670	1981 x 2134mm	2127 x 2207mm	2123 x 2205mm
7066	2134 x 1981mm	2280 x 2054mm	2276 x 2052mm
7070	2134 x 2134mm	2280 x 2207mm	2276 x 2205mm
7364	2222 x 1930mm	2368 x 2003mm	2364 x 2001mm
7566	2261 x 1981mm	2407 x 2054mm	2403 x 2052mm
7570	2261 x 2134mm	2407 x 2207mm	2403 x 2205mm
7666	2286 x 1981mm	2432 x 2054mm	2428 x 2052mm
7670	2286 x 2134mm	2432 x 2207mm	2428 x 2205mm
8066	2438 x 1981mm	2584 x 2054mm	2580 x 2052mm
8070	2438 x 2134mm	2584 x 2207mm	2580 x 2205mm
1466	4267 x 1981mm	4413 x 2054mm	4413 x 2052mm
1470	4267 x 2134mm	4413 x 2207mm	4413 x 2205mm



FITTING FRAMES TO THE BRICKWORK

Frames may be fitted within or behind the brickwork as per the drawings shown. Fitting behind the brickwork, if the garage length allows, will increase drive-through width by up to 114mm (4½").

A 19mm x 19mm weatherbead should be fitted to the underside of the door frame lintel in front of the door to hide the top gap. This feature is integral on the Cardale quick-fit steel frame.

Slideaway doors offer exceptionally smooth opening action and are ideal for electric operation.

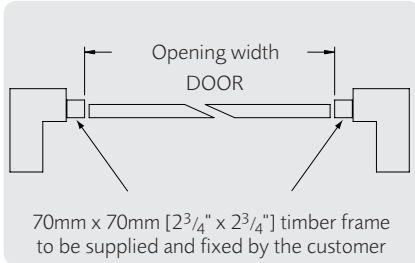
BRICKWORK APERTURE SIZES FOR FRAMES FITTED BEHIND THE OPENING

Size code	Door size width x height	Timber frame (70x70mm)	Quick-fit steel frame
		Brickwork aperture width x height	Brickwork aperture width x height
6666	1981 x 1981mm	2007 x 1981mm	2007 x 1981mm
6670	1981 x 2134mm	2007 x 2134mm	2007 x 2134mm
7066	2134 x 1981mm	2160 x 1981mm	2160 x 1981mm
7070	2134 x 2134mm	2160 x 2134mm	2160 x 2134mm
7364	2222 x 1930mm	2248 x 1930mm	2248 x 1930mm
7566	2261 x 1981mm	2287 x 1981mm	2287 x 1981mm
7570	2261 x 2134mm	2287 x 2134mm	2287 x 2134mm
7666	2286 x 1981mm	2312 x 1981mm	2312 x 1981mm
7670	2286 x 2134mm	2312 x 2134mm	2312 x 2134mm
8066	2438 x 1981mm	2464 x 1981mm	2464 x 1981mm
8070	2438 x 2134mm	2464 x 2134mm	2464 x 2134mm
1466	4267 x 1981mm	4293 x 1981mm	4293 x 1981mm
1470	4267 x 2134mm	4293 x 2134mm	4293 x 2134mm

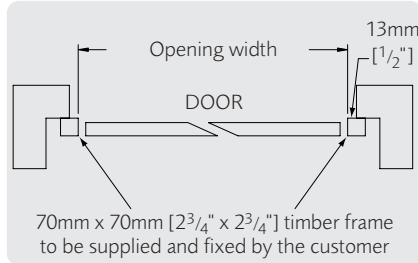
SPECIFICATIONS

SLIDEAWAY RETRACTABLE GEAR

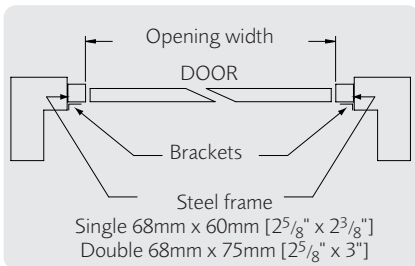
Fitting to timber frame,
WITHIN THE BRICKWORK
APERTURE



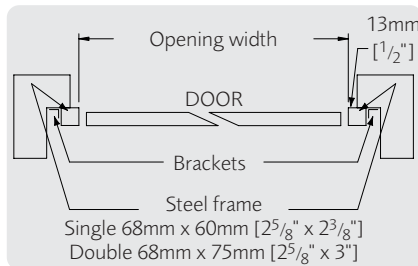
Fitting to timber frame,
BEHIND THE BRICKWORK
APERTURE



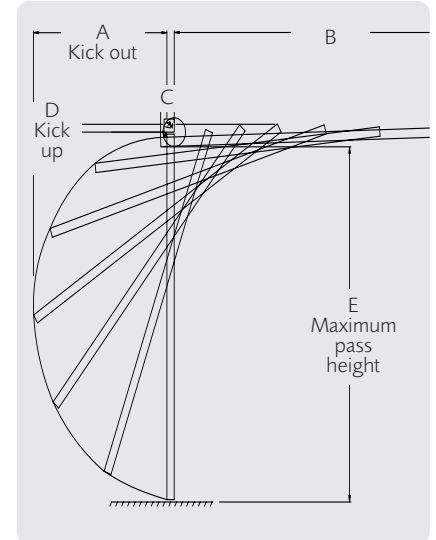
Fitting to Cardale quick-fit steel Slideaway frame,
WITHIN THE BRICKWORK
APERTURE



Fitting to Cardale quick-fit steel Slideaway frame,
BEHIND THE BRICKWORK
APERTURE



OPENING ARCS OF TRAVEL

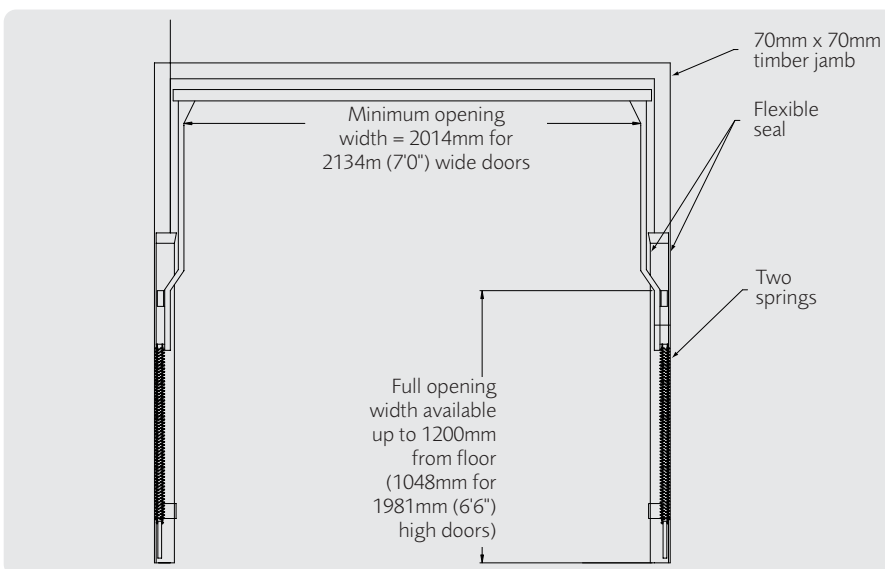


KEY

Size Code	1981mm (6'6") high MaxiMizer Slideaway doors	2134mm (7'0") high MaxiMizer Slideaway doors
A	914mm	1056mm
B	1859mm	1859mm
C	43mm	195mm
D	42mm	42mm
E	1901mm	2054mm

**MAXIMIZER®
DRIVE-THROUGH CLEARANCES**

(single sized Slideaway doors up to 2438mm (8'0") wide by 2286mm (7'6") high only)



Size Code	1981mm (6'6") high double Slideaway doors	2134mm (7'0") high double Slideaway doors
A	889mm	1041mm
B	1892mm	1892mm
C	-	153mm
D	51mm	51mm
E	1854mm	2007mm

STEEL-LINE ROLLER DOORS

STANDARD DOOR AND BRICKWORK APERTURE SIZES

- Steel-line roller doors are specified by curtain size and made to measure in 5mm ($\frac{3}{16}$ ") increments from 900mm (3'0") wide x 1200mm (4'0") high to 5100mm (16' 9") wide x 3050mm (10' 0") high.
- Widths up to 3404mm (11' 2") are classed as 'A' series. Widths above this are classed as 'AA' series.
- When correctly installed the door curtain should overlap the opening width on both sides by a minimum of:
 - 25mm each side for 'A' series doors without Rollguard
 - 50mm each side for 'AA' series doors without Rollguard
 - 35mm each side for all doors supplied with Rollguard

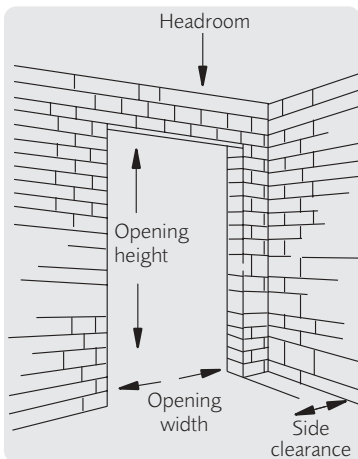
HEADROOM

The minimum clearance between the bottom of the lintel and the ceiling will vary according to the door height required, as illustrated below:

NOTES

- The clearance must extend back into the garage by 500mm for all door heights.
- The stated headroom is only necessary if the door roll is to be hidden from outside view. In cases of reduced headroom, the roll can be fixed lower, however there will be a corresponding reduction in drive-through height.
- The drive-through height will be 80mm less than the opening height.

MINIMUM CLEARANCES



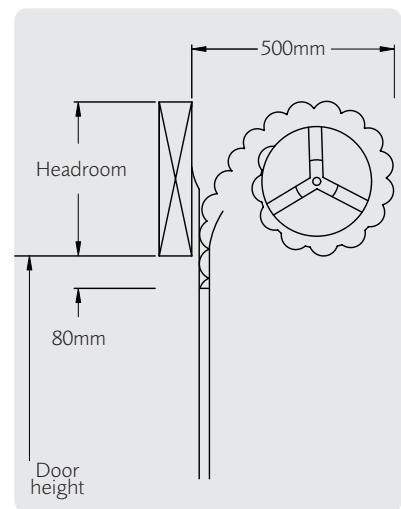
KEY

Minimum clearance required per side		
Door type	Manual door	Automatic door (Operator side only)
'A' Series	90mm	100mm
'AA' Series	120mm	150mm
All doors with Rollguard	150mm	150mm

These dimensions should be added to the aperture width when specifying to give the correct curtain width, as per the table below (note: curtain sizes have been rounded).

Aperture Width	Curtain width	
	Excluding Rollguard	Including Rollguard
1219mm (4'0")	1270mm	1290mm
1829mm (6'0")	1880mm	1900mm
2134mm (7'0")	2185mm	2205mm
2286mm (7'6")	2335mm	2355mm
2438mm (8'0")	2490mm	2510mm
2591mm (8'6")	2640mm	2660mm
2743mm (9'0")	2800mm	2820mm
3048mm (10'0")	3100mm	3120mm
3353mm (11'0")	3400mm	3420mm
3658mm (12'0")	3760mm	3730mm
4267mm (14'0")	4370mm	4340mm
5000mm (16'5")	5100mm	5070mm

The curtain height should be specified the same as the aperture height.

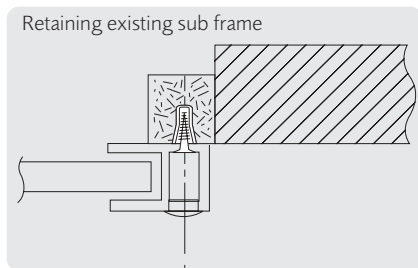
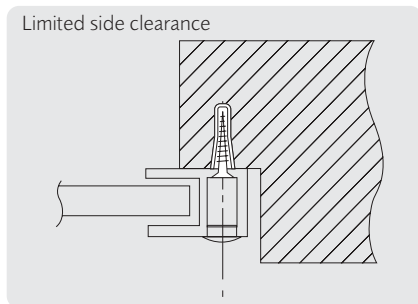
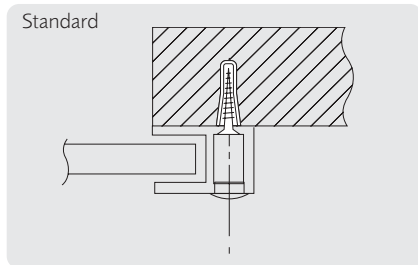


Door height	Minimum headroom
2134mm (7'0")	380mm
2286mm (7'6")	405mm
2438mm (8'0")	405mm
2743mm (9'0")	430mm
3048mm (10'0")	455mm

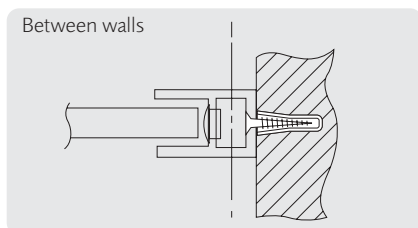
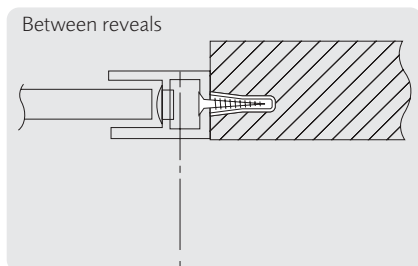
THERMAGLIDE ROLLER DOORS

(77mm Lath Doors)

FIXING OPTIONS BEHIND THE APERTURE

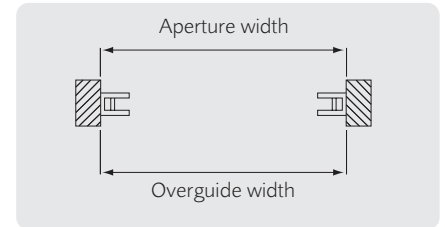
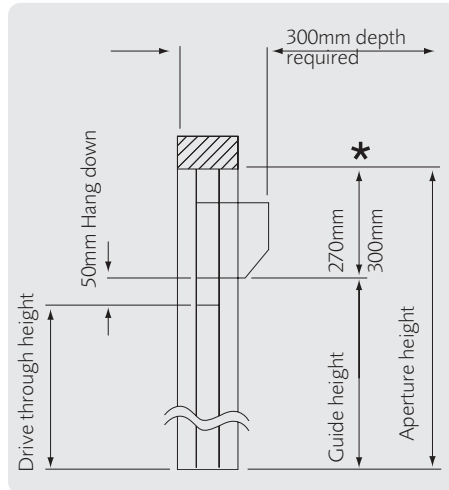


WITHIN THE APERTURE



FITTING WITHIN THE APERTURE

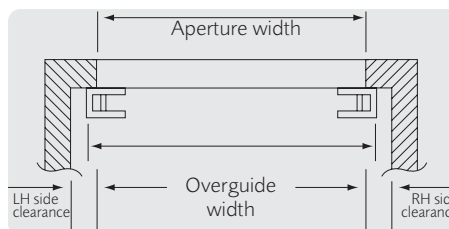
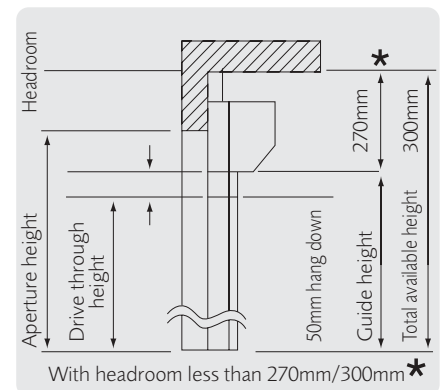
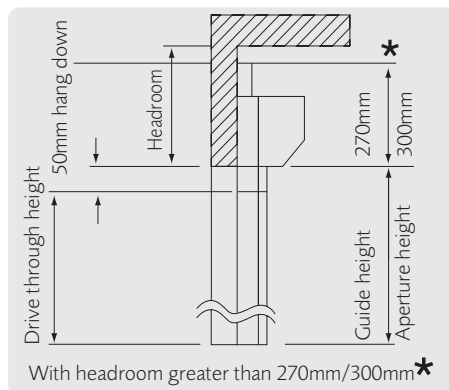
(between walls or between reveal)



NOTES

For this type of installation we strongly recommend that a fascia plate is fitted, this will cover and protect the axle assembly and give added security. Available in various colours and cut to length to suit your installation.

FITTING BEHIND THE APERTURE



NOTES - SIDE CLEARANCE

70mm or 95mm[†] is required only if the guides are to be fully concealed. A minimum of 40mm is required to give sufficient room for fixing but a portion of the guide tracks would then be visible.

- * 270mm for door sizes up to 9sqm
300mm for door sizes up to 13.5sqm
- † 70mm for door sizes up to 9sqm
95mm for door sizes up to 13.5sqm

TERMS & CONDITIONS

All products are sold subject to our standard conditions of sale, which are available on request and include the following:

Prices

All orders are accepted on the understanding that the goods will be subject to the prices ruling at the time of delivery, unless other terms are specifically agreed. All prices are in £ sterling and exclude carriage and VAT.

Panel Configurations

The proportions of the door's panel configurations may vary according to the actual size specified.

Lock Handle Position

Lock handle position varies according to the design and the lifting gear type. As a general rule, lock handles are located two thirds of the way up Safelift Trackless Canopy and one third of the way up Slideaway and vertically opening doors.

Timber Doors

The Company accepts no liability for natural variations in colour, warping, swelling or shrinkage due to ordinary natural processes of ageing, fading or the effects of weather or climate or shrinkage, warping or swelling which could have been prevented by carrying out finishing and maintenance as recommended by the Company. Timber doors should be finished with a micro-porous stain, front and back, in accordance with the stain manufacturer's instructions immediately after fitting. Prior to fitting they must not be stored in direct sunlight or exposed to splashes or rain as colour fading and staining may occur respectively.

Please tell us if you require doors to match and we will do our best to achieve as close a door match as possible.

GRP Doors

GRP by definition, is manufactured from translucent strands of glass. This characteristic may occasionally show itself in translucency of the panel under bright external conditions when viewed from inside with the door closed, but this does not represent a defect in the construction or strength of the door.

Please note that our GRP doors are handcrafted. This may result in shade variations. Please tell us if you require doors to match and we will do our best to achieve as close a door match as possible.

Specification

The Company reserves the right to make any alterations in design or manufacture without notification as is deemed necessary to ensure continual product development.

This document is intended for use as a guide only. For full product specifications and full details of extended product guarantees, please refer to the Cardale Range Guide or see our home page on the Internet at www.cardale.com.

Alternatively, call us FREE on 0800 581082.



Presented by:



For more information or to request a brochure on any of Cardale's ranges of Garage Doors and accessories, contact:
Cardale Doors Ltd, Farm Road, Buckingham Road Industrial Estate, Brackley, Northamptonshire NN13 7EA
Tel: 0800 581082 Fax: 01280 844564 www.cardale.com

A member of **CARDALE GROUP**

Cardale reserves the right to alter specifications to design and manufacture without notification. All specifications are correct at time of publication, errors and omissions excepted.